

Street Light Variable Adapter



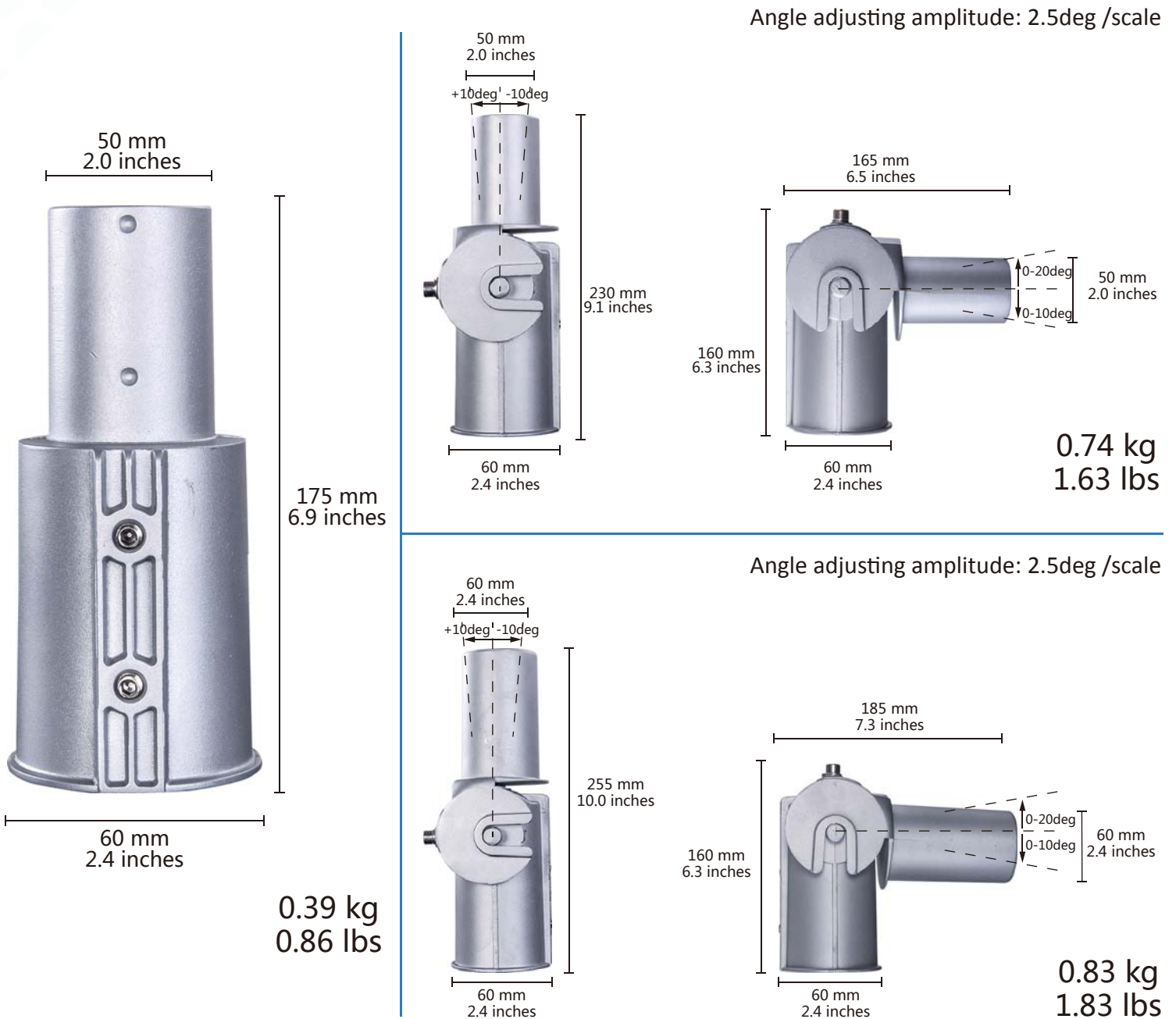
Overview

High-pressure die casting aluminium, superior material, sturdy and durable, multi-angle adjusting. It can be used for $\Phi 60\text{mm}$ poles, meeting the requirements for both $\Phi 50\text{mm}$ and $\Phi 60\text{mm}$ luminaire sleeve.

Color Options

● Silver Gray ● Black

Diagrammatic Sketch



Street Light Variable Adapter



Overview

High quality steel, exquisite workmanship, sturdy and durable, T-shaped and L-shaped optional. Suitable for wall mounting, meeting the requirements for $\Phi 60\text{mm}$ luminaire sleeve.

Color Options

- Sliver Gray
- Black

Diagrammatic Sketch

