

Quick Installation Guide

please take the time to read this Quick Installation Guide. The guide contains important information and notes regarding the installation and operation.

IMPORTANT!

*Always switch off the power supply before commencing work!

*It must be installed by a professional electrician in accordance with the relevant electrical codes.

*Do not change the structure or any components of the traffic light to ensure safety.

*Please keep this Quick Installation Guide for at least the coming three years for future system maintenance.

*This LED traffic light is designed to fit in standard mode of installation.

*Please read the installation instruction very carefully and follow the wiring instructions to ensure safety.

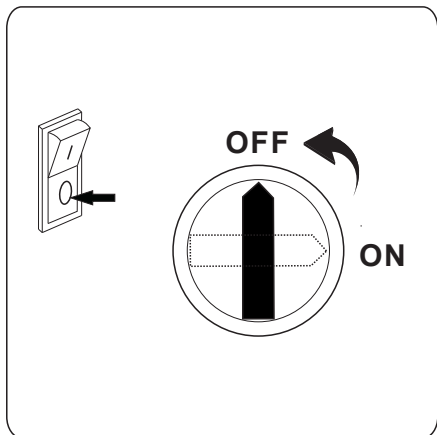
Category	Housing Material	IP Rating
200mm Series	Polycarbonate(pc)	54
300mm Series	Polycarbonate(pc) or Die-casting Aluminum	54
400mm Series	Die-casting Aluminum	54



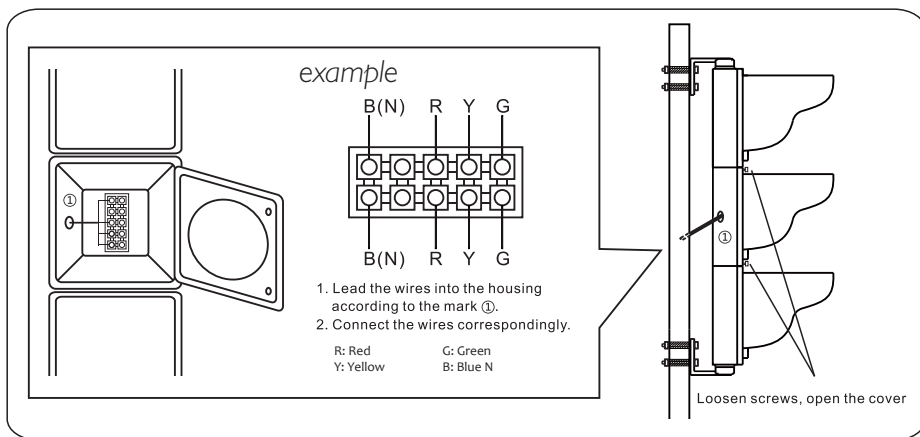
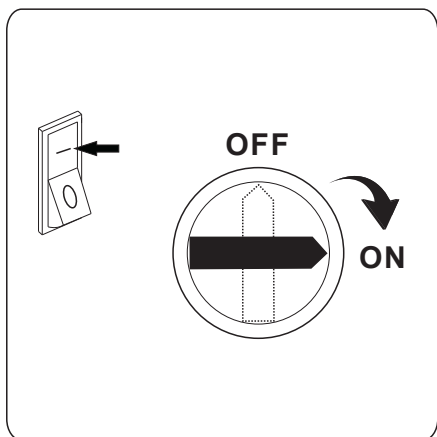
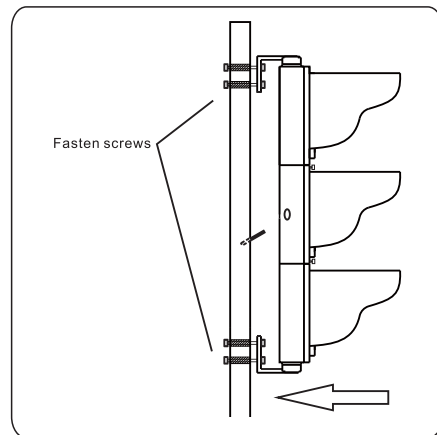
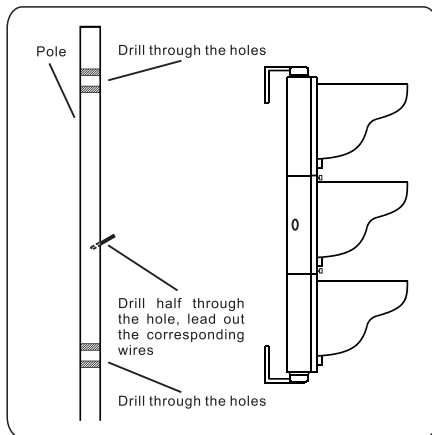
Check whether it concerns an AC(Alternating Current) based or DC(Direct Current) based system.

⚠ Caution:

Switch Off the Power Supply



**New Installation/
AC/DC Based System**



Packing List

LED Traffic Light :2 or 4 pcs depend on different dimensions

Quick Installation Guide :1 pcs