

Solar Street Light Installation Guide

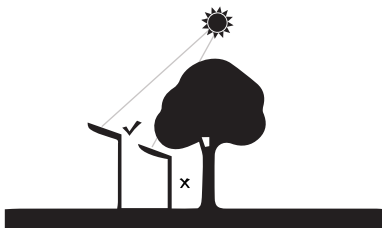
Before Installation

This procedure is designed as an installation aid. Skilled tradespeople who are familiar with general construction and electrical installation techniques should perform the installation. Licensed electricians should provide electrical installation connections. Installations and connections should be done in accordance with all national and local codes and permits. This document is not intended to convey any warranty or fitness for using of the products described, nor is it intended to provide safety instructions for those installing the products.

WARNING

Before proceeding with installation or service maintenance of this product.

1. Review the entire Installation Guide.
2. Inspect this properly packaged product for any damage that may have occurred during transit.
3. Verify the availability of necessary tools and incidental materials.
4. The factory default is off state. After Connecting the male end of the cable output of battery box to the female end to solar controller, the system will be activated and enters normal working state.
5. Factory default working mode: The light fixture works with sensor, motion detected at 100% brightness, no motion detected at 20% brightness.
6. The fixture is equipped with an intelligent power mode. The light output will decrease as the battery power decreases, with three levels (high, medium, low), factory default is medium level.
7. Install in a location where it can receive sunlight, avoiding obstructions from trees, buildings, and walls, so that the solar panel can receive as much sunlight as possible to charge the battery.

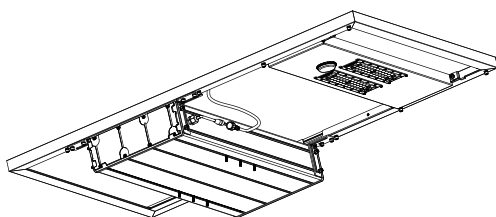


8. When installing the solar panel, face it south (in the northern hemisphere) and adjust the tilt angle to match the latitude of the installation location, ensuring optimal energy collection.
9. After installation, once the system is activated, the lighting fixture will automatically turn on and off based on the ambient brightness.
10. Product storage temperature: 0-50°C, charging temperature: 0-45°C, discharging temperature: -10-60°C.
11. The product can be stored for up to 6 months. If stored for more than 6 months, it needs to be charged in sunlight to avoid affecting the battery's lifespan.

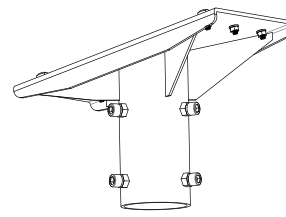
Materials List

No 1. Solar panel with battery, controller and LED modules integrated one unit x 1 (Offered)

No 2. Installation Fitter x 1 (Offered)

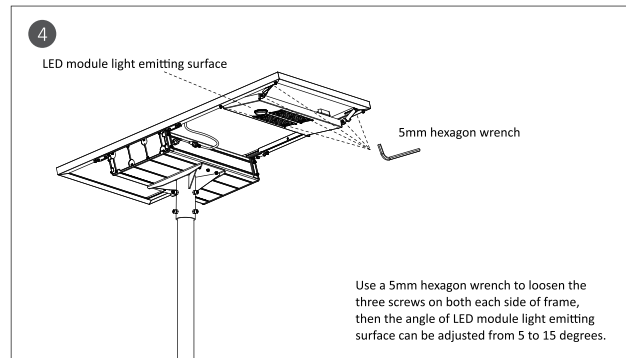
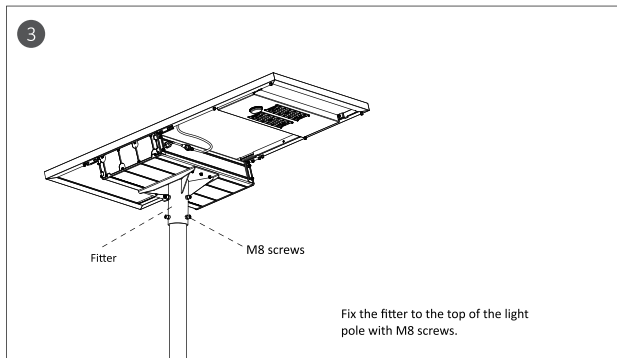
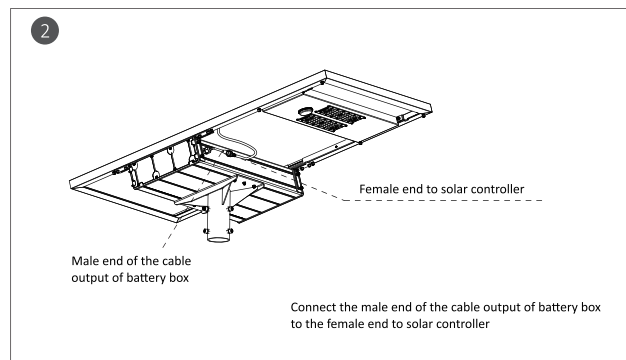
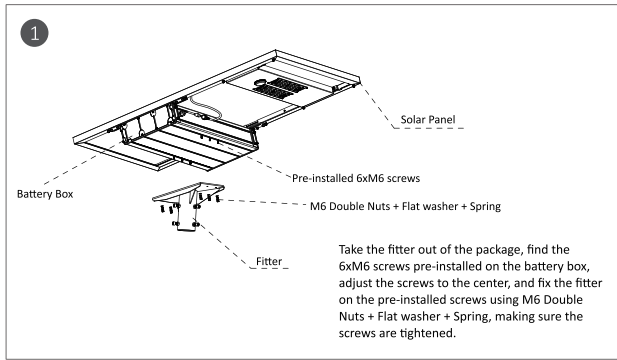


No 1



No 2

Installation Steps



States of probe indicator light are shown below:

Indicator Light	State of Indicator Light	Description of Indicator Light	State of Remote Controller System
Red	Normally on	Normal system	Idle/discharge
	Slow flash	Charging	Charge
	Fast flash	System failure	Short circuit/open circuit /over-discharge/PV over-temperature/ BV over-temperature/EBMS/over-temperature

States of controller indicator light are shown below:

Indicator	Status	Description	Remote control system status
PV indicator	Steady on	Solar panel voltage is higher than light control voltage	Idle
	Off	Solar panel voltage is lower than light control voltage	Idle
	Slow flash	In charging	Charging
	Double flash	Fully charged	Fully charged
	Quick flash	BMS protection or BAT overvoltage or PV overvoltage or over temperature(ambient temperature) or power/ current limited charging	E-BMS Battery overvoltage PV panel overvoltage Over temperature Overcurrent
BAT indicator	Steady on	Battery works properly	Idle
	Off	Battery is not connected or lithium battery protection board over discharge protection	
	Quick flash	Battery over-discharge	Over discharge
LOAD indicator	Steady on	Load is turned on	Discharging
	Off	Load is turned off	Idle
	Slow flash	Load is open circuited	Open circuit
	Quick flash	Load is short circuited	Short circuit



This marking indicates that this product should not be disposed with other household wastes throughout the EU. To prevent possible harm to the environment or human health from uncontrolled waste disposal, recycle it responsibly to promote the sustainable reuse of material resources. To return your used device, please use the return and collection systems or contact the retailer where the product was purchased. They can take this product for environmental safe recycling.